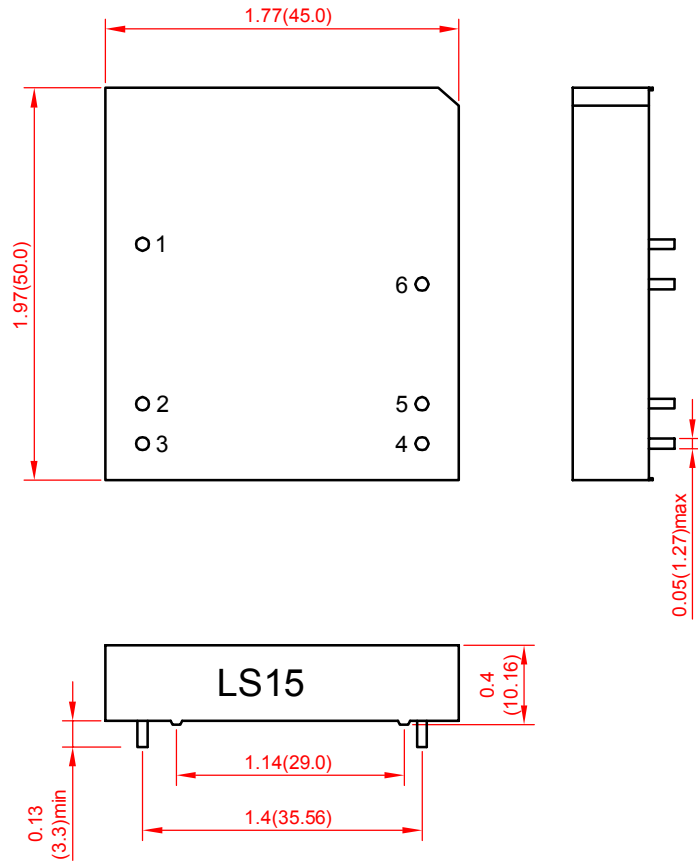
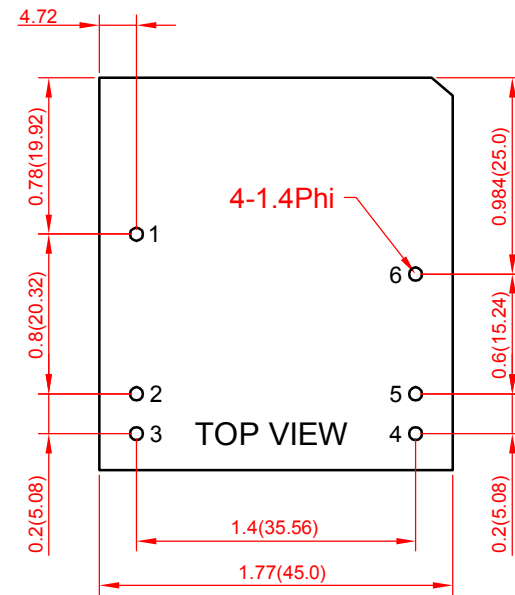


■ Mechanical Specification



■ Artwork Reference



* All Dimensions are inch(mm)

■ Pin Assignments

PIN	FUNCTION	
1	+Vin	INPUT
2	-Vin	
3	CNT	
4	TRM	OUTPUT
5	-Vout	
6	+Vout	