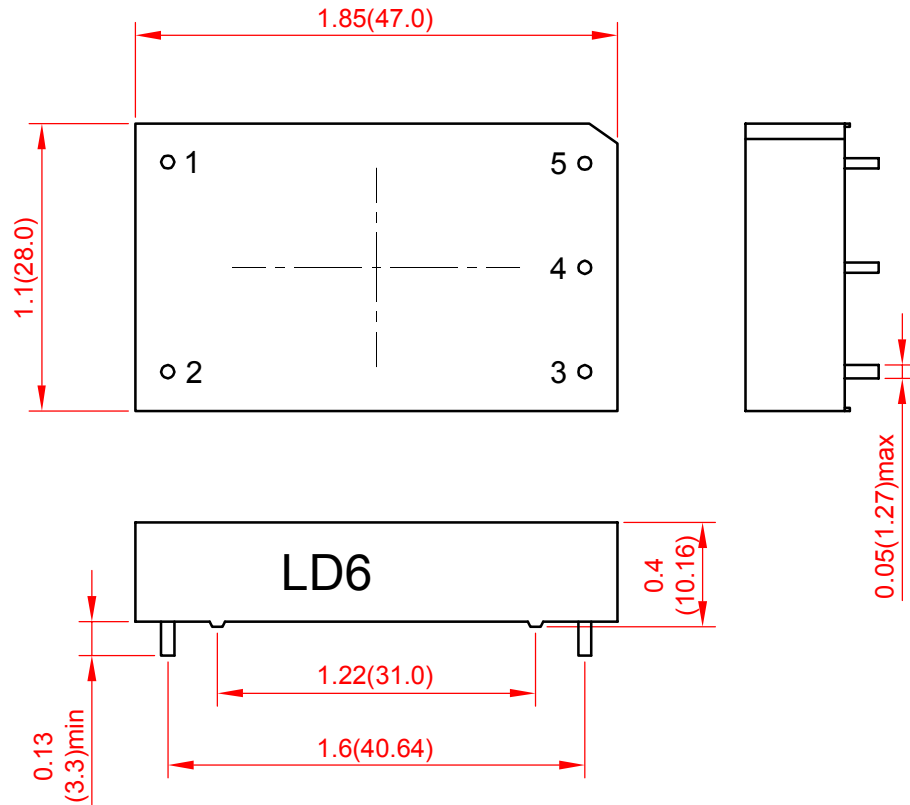
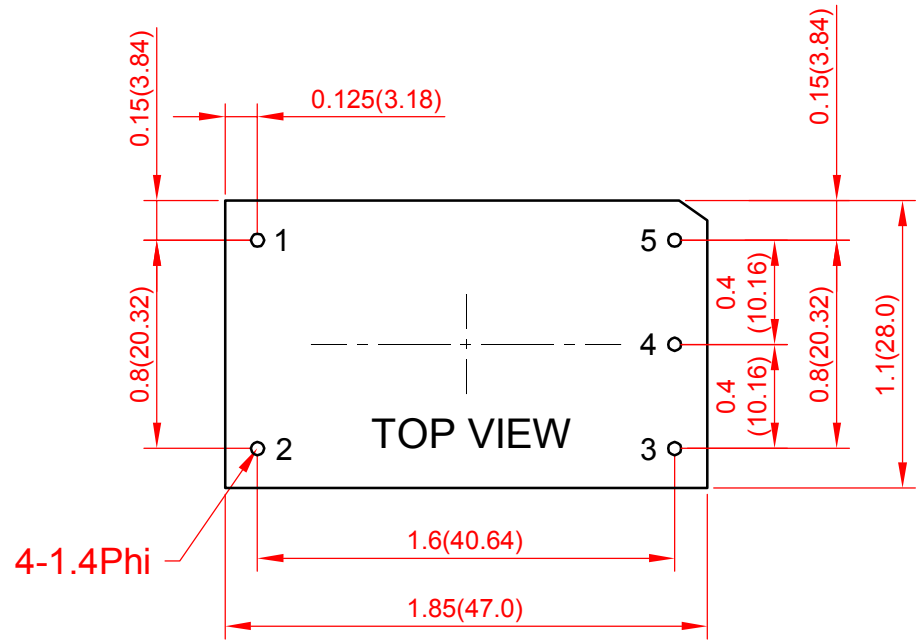


■ Mechanical Specification



■ Artwork Reference



* All Dimensions are inch(mm)

■ Pin Assignments

PIN	FUNCTION	
1	+Vin	INPUT
2	-Vin	
3	-Vout	OUTPUT
4	Com	
5	+Vout	