

■ Features

- Input - output Isolated
- RoHS directive
- Dimension 87.6 x 61.0 x 12.7mm
- Built-in over current protection circuit.
- Built-in over voltage protection circuit.
- Built-in over temperature protection circuit.



■ Environmental & Isolation Specifications

Parameter	Min	Typ	Max	Unit	Notes
Operating Temperature (Top-Plate)	-20	-	70	°C	
Storage Temperature	-40	-	105	°C	
Operating Humidity (Non-condensing)	20	-	90	%	
Isolation Voltage (Input - Output)	500	-	-	VAC	
Isolation Resistance (Input - Output)	100	-	-	MΩ	at 500VDC

- ▶ Output derating 1) -20°C ~ +50°C (Load at 100%)
- ▶ Output derating 2) -20°C ~ +70°C (Load at 50%)
- ▶ (Option) -40°C ~ +85°C

■ Electrical Specifications

Input Characteristics

Parameter	Min	Typ	Max	Unit	Notes
Operating Input Voltage Range (Vin)					
12Vin	9	12	18	V	
24Vin	18	24	36	V	
48Vin	36	48	72	V	
110Vin	70	110	140	V	

Output General

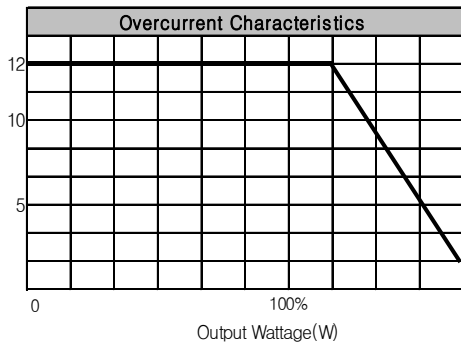
Parameter	Min	Typ	Max	Unit	Notes
Output Voltage Tolerance		-	±3	%	
Line Regulation		-	±0.5	%	
Load Regulation		-	±1	%	
Output Ripple & Noise Nominal Vin, Maximum Io, B/W 20MHz		-	1% of Vout	mV	
Dynamic Load Response		-	5% of Vout	mV	
CNT (Remote on/off control) ON = short to -Vin OFF = open					
TRM (Output Trimable Vout)		-	@+5%	%	
OCP (Over Current Protection)	110	-	-	%	
OVP (Over Voltage Protection)	110	-	150	%	
OTP (Over Temperature Protection)	100	-	115	°C	

GMS200 Series Specifications

Model Name	Input Range (V)	Output			Efficiency TYP.	Notes
		V _{out}	I _{out}	P _{out}		
GMS200-12-033	9~18	3.3 V	30.00 A	100.0 W	80 %	
GMS200-12-05	9~18	5 V	30.00 A	150.0 W	80 %	
GMS200-12-12	9~18	12 V	12.00 A	150.0 W	80 %	
GMS200-12-24	9~18	24 V	6.00 A	150.0 W	80 %	
GMS200-24-033	18~36	3.3 V	40.00 A	132.0 W	80 %	
GMS200-24-05	18~36	5 V	40.00 A	200.0 W	80 %	
GMS200-24-12	18~36	12 V	16.00 A	200.0 W	82 %	
GMS200-24-24	18~36	24 V	8.00 A	200.0 W	82 %	
GMS200-48-033	36~72	3.3 V	40.00 A	132.0 W	82 %	
GMS200-48-05	36~72	5 V	40.00 A	200.0 W	82 %	
GMS200-48-12	36~72	12 V	16.00 A	200.0 W	85 %	
GMS200-48-24	36~72	24 V	8.00 A	200.0 W	85 %	
GMS200-110-05	70~140	5 V	40.00 A	132.0 W	82 %	
GMS200-110-12	70~140	12 V	16.00 A	200.0 W	82 %	
GMS200-110-24	70~140	24 V	8.00 A	200.0 W	85 %	

※ All of datas are tested at 25°C

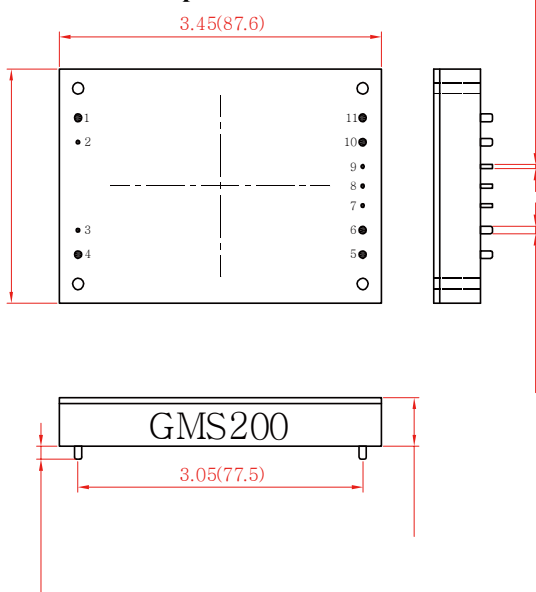
Over Current Characteristics



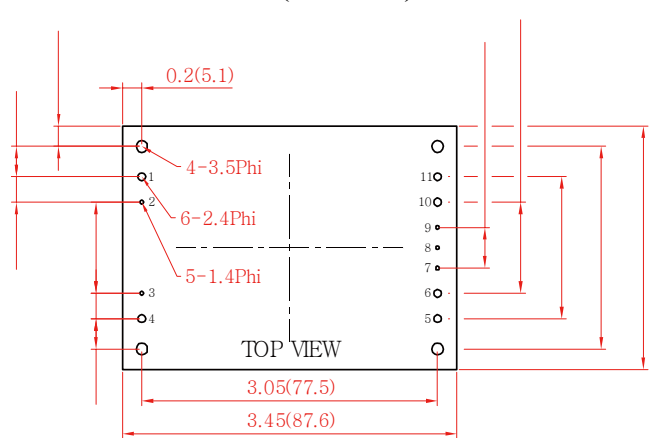
Pin Assignments

PIN	FUNCTION	PIN	FUNCTION
1	+Vin	5	-Vout
2	CNT	6	-Vout
3	Case	7	-S
4	-Vin	8	TRM
		9	+S
		10	+Vout
		11	+Vout

Mechanical Specification



Artwork Reference (Unit : mm)



* All Dimensions are inch(mm)