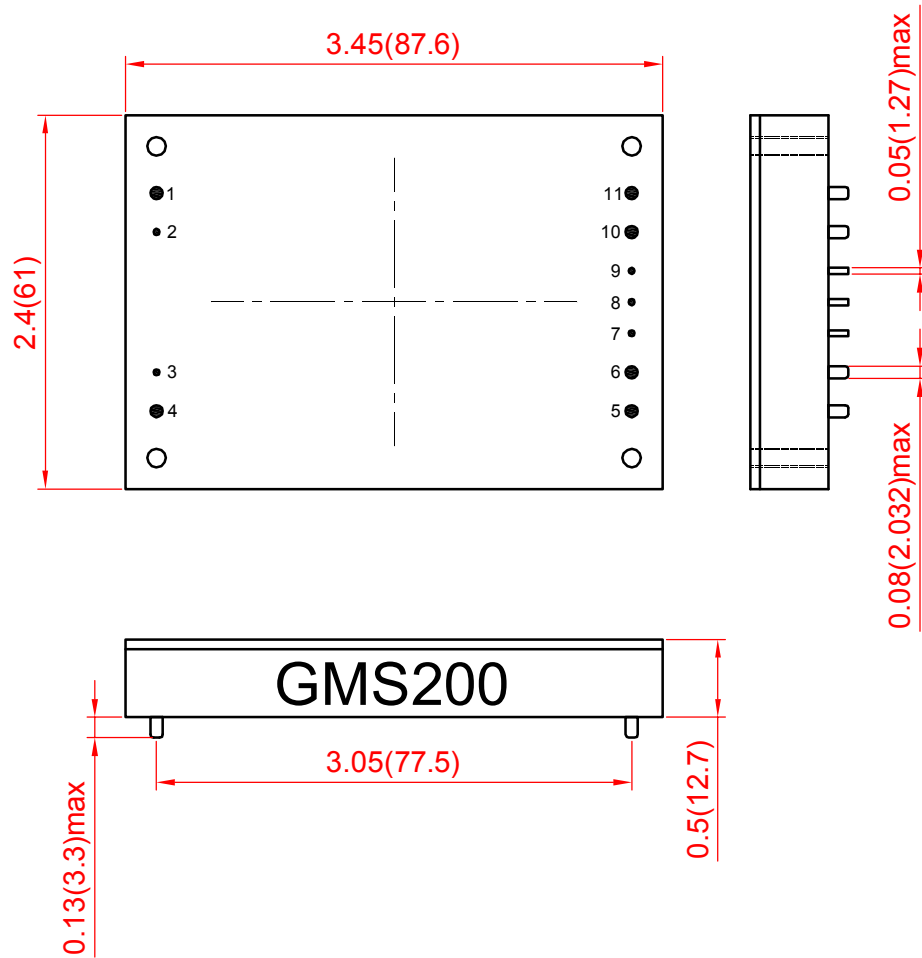
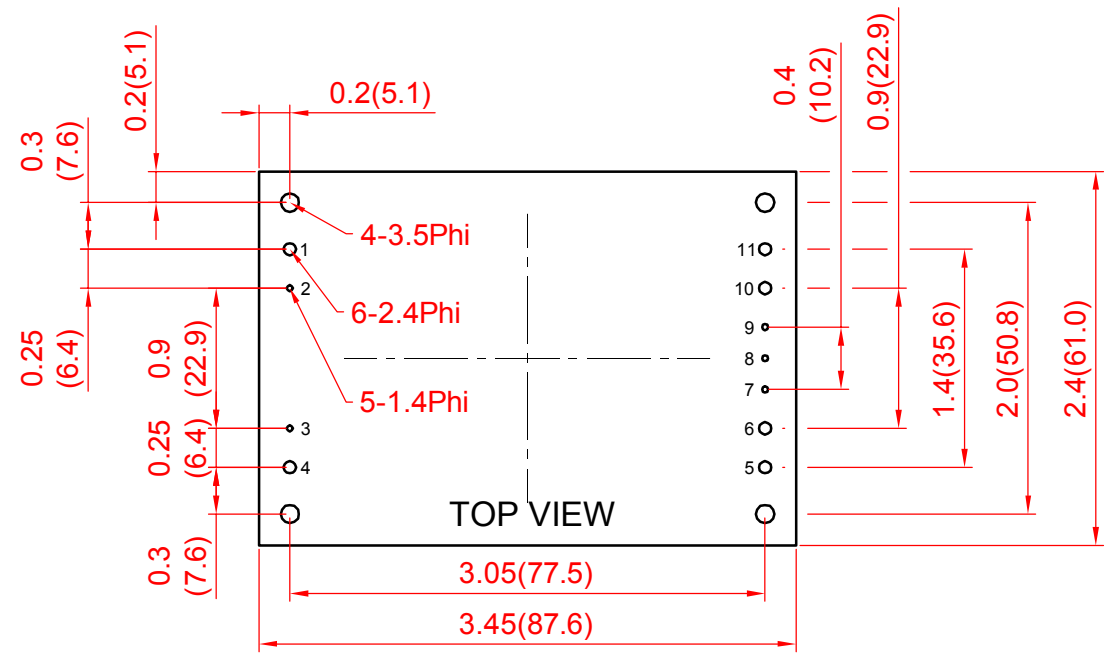


■ Mechanical Specification



■ Artwork Reference



* All Dimensions are inch(mm)

■ Pin Assignments

FUNCTION			
PIN	INPUT	PIN	OUTPUT
1	+Vin	5	-Vout
2	CNT	6	-Vout
3	Case	7	-S
4	-Vin	8	TRM
		9	+S
		10	+Vout
		11	+Vout