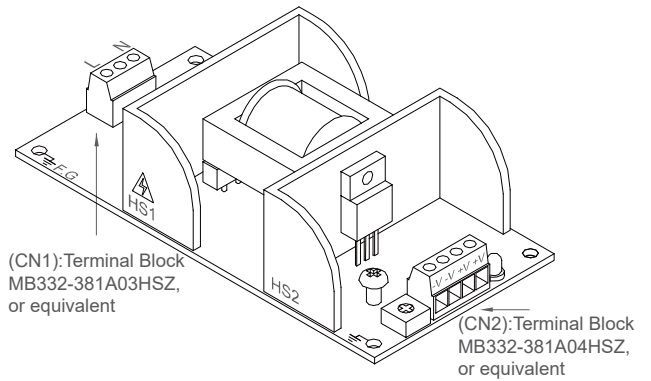
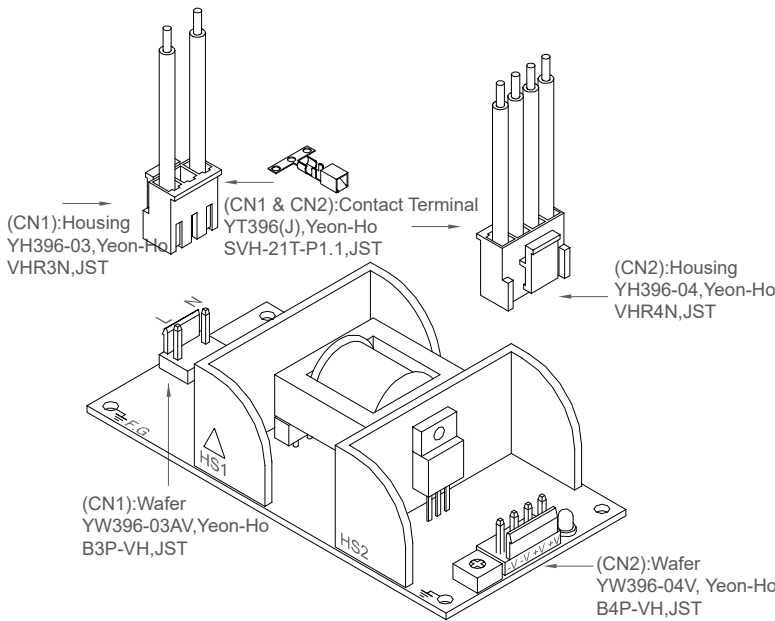


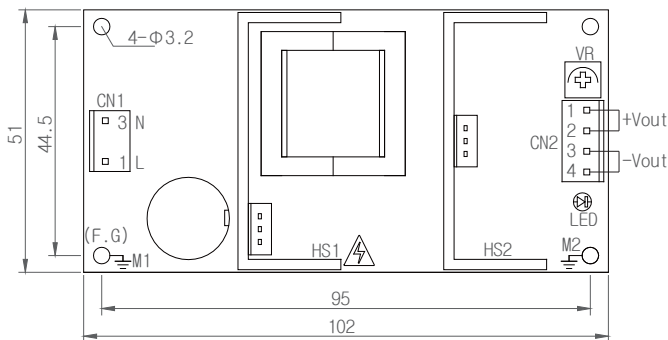


◆ Features

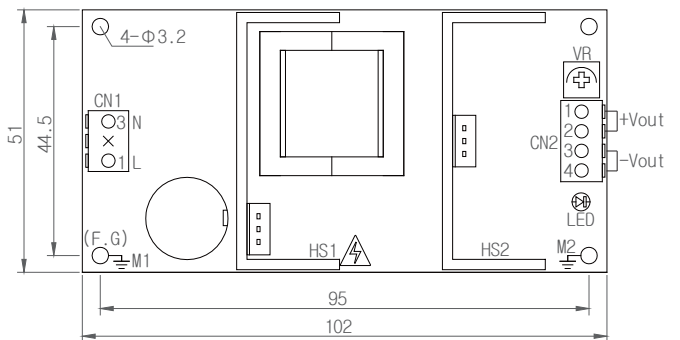
- Compact size 4"x2" (OP65C/T, OP150C/T), 5"x3" (OP300C/T).
- OP65CU/TU, OP150CU/TU (115x64x40mm).
- OP300CU/TU (140x88x45mm).
- OP65TD, OP150TD (140x84x40mm).
- OP300TD (167x107x45mm).
- Optional Input/Output: Connector or Terminal Block.
- Optional case: U-Bracket case or Din-Rail case.
- Universal AC Input 90~264Vac, free-voltage.
- Built-in active PFC function (OP150, OP300).
- Protections: Short circuit, Overload, Overvoltage.
- Over temperature protections (OP150, OP300).
- High efficiency up to 90% (OP150, OP300).
- OP65 free air convection, OP150/OP300 with in 20CFM forced air.
- OP150/OP300 Built-in 12V 0.3A auxiliary output (Fan Vcc).
- LED indicator for DC-OK.
- Adjustable output voltage.
- 3 years warranty. -RoHs directive.



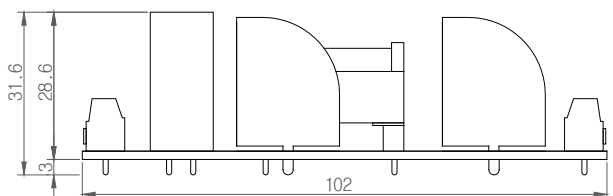
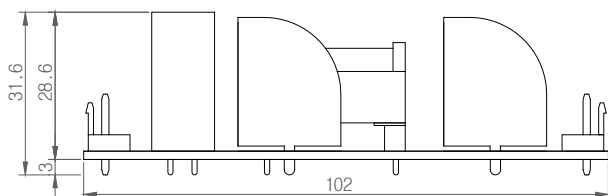
OP65-□□C
Connector & PCB type
(102x51x32mm/4"x2")



OP65-□□T
Terminal block & PCB type
(102x51x32mm/4"x2")



1. ⚠ HS1, HS2 can not be shorted.
2. ⚠ HS1 must have safety isolation distance with system case.
3. ⚡ Grounding required: M1 and M2 are safety ground and should all be grounded.



(CN1):AC Input connector: YW396-03AV, JST B3P-VH, equivalent

No	Assignment	Mating housing	Contact terminal	Vender
1	L	YH396-03 JST VHR3N	YT396(J) JST SVH-21T-P1.1	Yeon-Ho JST
2	No Pin			
3	N			

(CN2):DC Output connector: YW396-04V, JST B4P-VH, equivalent

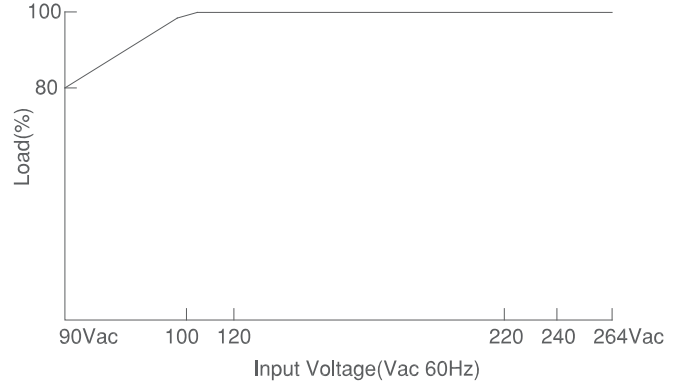
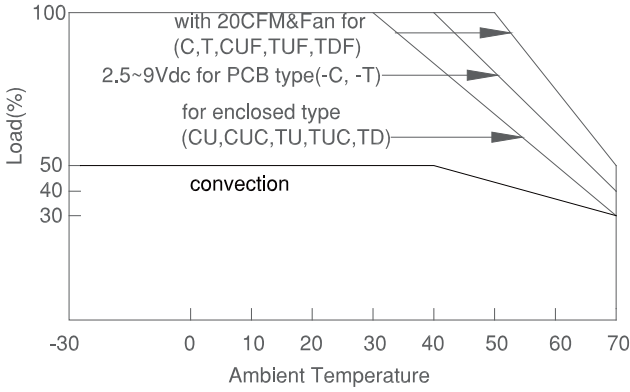
No	Assignment	Mating housing	Contact terminal	Vender
1,2	+ Vout	YH396-04 JST VHR4N	YT396(J) JST SVH-21T-P1.1	Yeon-Ho JST
3,4	- Vout			

(CN1):AC input Terminal-Block:

Pin No	Assignment	Terminal Block	Vender
1	L	MB332-381A03HSZ, or equivalent	DECA
2			
3	N		

(CN2):DC Output Terminal-Block:

Pin No	Assignment	Terminal Block	Vender
1,2	+ Vout	MB332-381A04HSZ, or equivalent	DECA
3,4	- Vout		

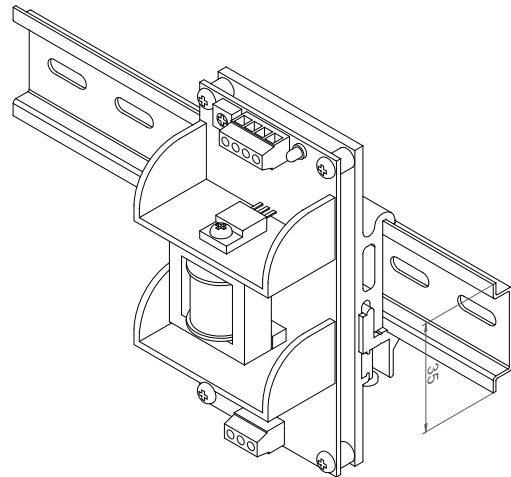


Input Range: 90~264Vac OP65-□□C

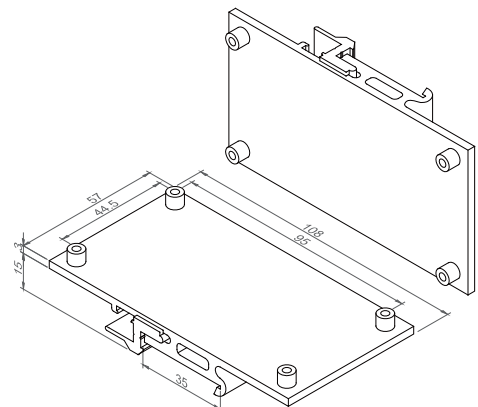
Model	V-out	I-out	P-out	Efficiency	Notes
OP65-2R5C	2.5V	10.0A	25.0W	80%	
OP65-3R3C	3.3V	10.0A	33.0W	80%	
OP65-05C	5V	10.0A	50.0W	80%	
OP65-07C	7V	8.5A	60.0W	82%	
OP65-09C	9V	6.5A	60.0W	85%	
OP65-12C	12V	5.4A	65.0W	85%	
OP65-15C	15V	4.3A	65.0W	85%	
OP65-24C	24V	2.7A	65.0W	88%	
OP65-28C	28V	2.3A	65.0W	88%	
OP65-36C	36V	1.8A	65.0W	88%	
OP65-48C	48V	1.3A	63.0W	88%	
OP65-75C	75V	0.8A	60.0W	88%	
OP65-150C	150V	0.4A	60.0W	88%	

Input Range: 90~264Vac OP65-□□T

Model	V-out	I-out	P-out	Efficiency	Notes
OP65-2R5T	2.5V	10.0A	25.0W	80%	
OP65-3R3T	3.3V	10.0A	33.0W	80%	
OP65-05T	5V	10.0A	50.0W	80%	
OP65-07T	7V	8.5A	60.0W	82%	
OP65-09T	9V	6.5A	60.0W	85%	
OP65-12T	12V	5.4A	65.0W	85%	
OP65-15T	15V	4.3A	65.0W	85%	
OP65-24T	24V	2.7A	65.0W	88%	
OP65-28T	28V	2.3A	65.0W	88%	
OP65-36T	36V	1.8A	65.0W	88%	
OP65-48T	48V	1.3A	63.0W	88%	
OP65-75T	75V	0.8A	60.0W	88%	
OP65-150T	150V	0.4A	60.0W	88%	



파워캡 디레일 브라켓:DRB-PCB 35-108-57을 이용하여 디레일에 장착가능



파워캡 디레일 브라켓:DRB-PCB 35-108-57

Environmental & Isolation Specifications

Parameter	Min	Typ	Max	Unit	Notes
Operating Temperature	-10	-	50	℃	Refer to output load derating curve.
Storage Temperature	-40	-	85	℃	
Operating Humidity(Non condensing)	10	-	95	%	
Isolation Resistance(Input : Output)	100	-	-	MΩ	At 500VDC
Isolation Voltage(Input : Output)	3,000			VAC	At 10mA
Isolation Voltage(Input : F.G)	1,500			VAC	At 10mA
Isolation Voltage(F.G : Output)	500			VAC	At 10mA

Specifications Input Characteristics

Parameter	Min	Typ	Max	Unit	Notes
Operating Input Voltage Range	90	220	264	VAC	
Frequency Range	47	50/60	63	Hz	
Input Current at 115VAC (OP65□□)	-	-	1.3	A	Max Load
Input Current at 115VAC (OP150□□)	-	-	2.0	A	Max Load
Input Current at 115VAC (OP300□□)	-	-	3.4	A	Max Load
Inrush Current (Cold start at 220VAC)	-	-	50	A	
Over Current Protection(Rated Pout)	110	-	-	%	Hiccup
Leakage Current(at 220VAC)	-	-	-	mA	

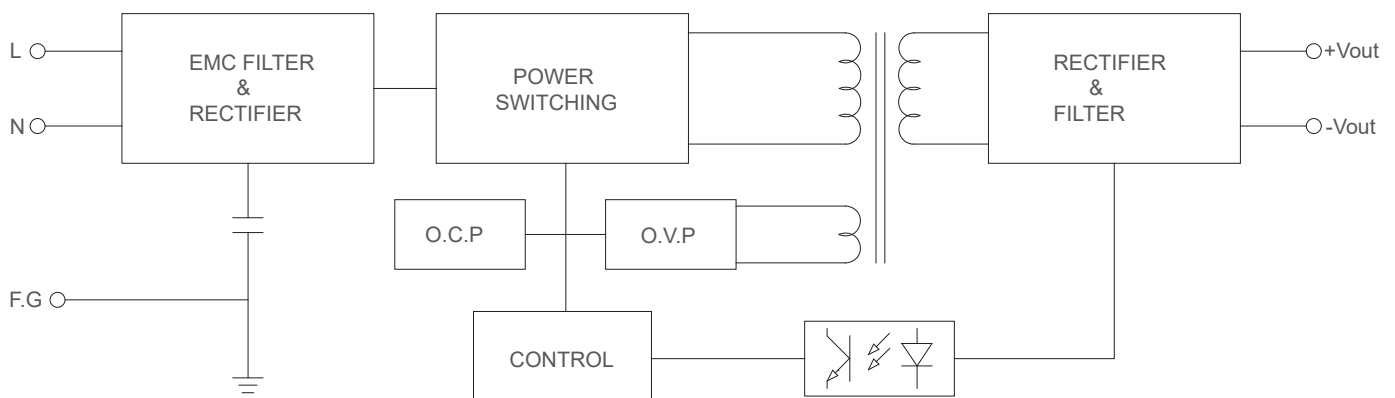
Specifications Output Characteristics

Parameter	Min	Typ	Max	Unit	Notes
Output Voltage Setting Tolerance	-	-	±2	%	
Line Regulation	-	-	±0.5	%	
Load Regulation	-	-	±1	%	
Output Power	-	-	65	W	
Output Ripple & Noise (220VAC max-load)	-	-	1% of Vo	mV	B/W 100Mhz, 1uF Cap
Dynamic Load Response	-	-	5% of Vo	mV	
Turn on Time at 220VAC	-	100	-	mS	
Hold-up Time at 220VAC	-	50	-	mS	

Dimensions & Weight

Model	Dimensions(mm)	Weight(g)	Model	Dimensions(mm)	Weight(g)	Model	Dimensions(mm)	Weight(g)
OP65C	102 X 51 X H32	136 typ	OP150C	102 X 51 X H32	198 typ	OP300C	127 X 76 X H38	340 typ
OP65T	102 X 51 X H32	139 typ	OP150T	102 X 51 X H32	200 typ	OP300T	127 X 76 X H38	356 typ
OP65CU	115 X 64 X H40	205 typ	OP150CU	115 X 64 X H40	265 typ	OP300CU	140 X 88 X H45	436 typ
OP65TU	115 X 64 X H40	207 typ	OP150TU	115 X 64 X H40	269 typ	OP300TU	140 X 88 X H45	451 typ
OP65CUC	115 X 64 X H40	221 typ	OP150CUC	115 X 64 X H40	281 typ	OP300CUC	140 X 88 X H45	464 typ
OP65TUC	115 X 64 X H40	223 typ	OP150TUC	115 X 64 X H40	285 typ	OP300TUC	140 X 88 X H45	478 typ
			OP150TUF	115 X 64 X H40+20(Fan)	316 typ	OP300TUF	140 X 88 X H45+20(Fan)	510 typ
OP65TD	140 X 69 X H40	364 typ	OP150TD	140 X 69 X H40	423 typ	OP300TD	167 X 92 X H45	627 typ
			OP150TDF	140 X 69 X H40+20(Fan)	453 typ	OP300TDF	167 X 92 X H45+20(Fan)	657 typ

Block Diagram



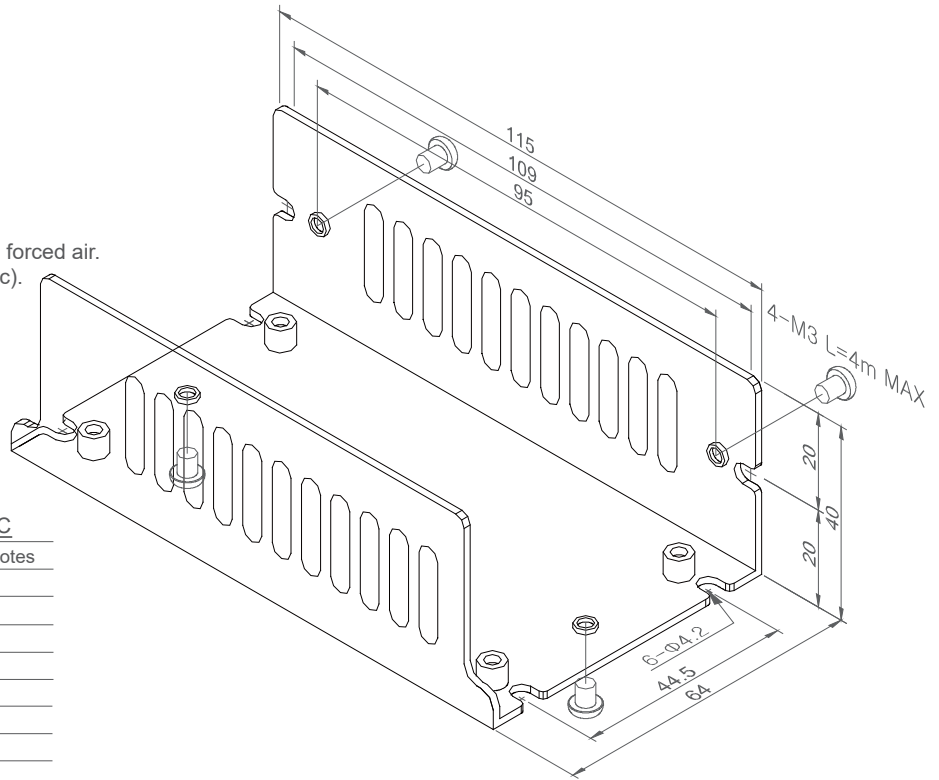


디자인출원:30-2019-0046836

특허청

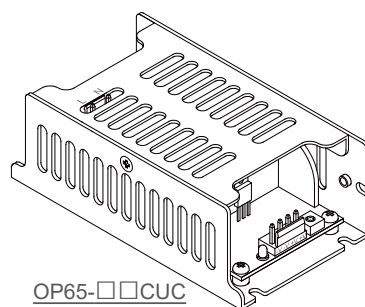
◆ Features

- Compact size 4"x2" (OP65C/T, OP150C/T), 5"x3" (OP300C/T).
- OP65CU/TU, OP150CU/TU (115x64x40mm).
- OP300CU/TU (140x88x45mm).
- OP65TD, OP150TD (140x84x40mm).
- OP300TD (167x107x45mm).
- Optional Input/Output: Connector or Terminal Block.
- Optional case: U-Bracket case or Din-Rail case.
- Universal AC Input 90~264Vac, free-voltage.
- Built-in active PFC function (OP150, OP300).
- Protections: Short circuit, Overload, Overvoltage.
- Over temperature protections (OP150, OP300).
- High efficiency up to 90% (OP150, OP300).
- OP65 free air convection, OP150/OP300 with in 20CFM forced air.
- OP150/OP300 Built-in 12V 0.3A auxiliary output (Fan Vcc).
- LED indicator for DC-OK.
- Adjustable output voltage.
- 3 years warranty. -RoHs directive.

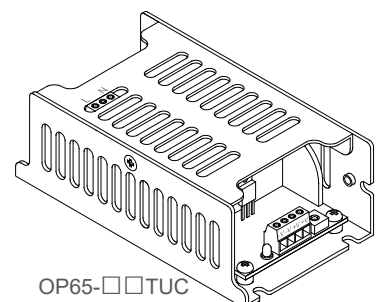


Input Range: 90~264Vac		OP65-□□CU/CUC				
Model	V-out	I-out	P-out	Efficiency	Notes	
OP65-2R5CUC	2.5V	10.0A	25.0W	80%		
OP65-3R3CUC	3.3V	10.0A	33.0W	80%		
OP65-05CUC	5V	10.0A	50.0W	80%		
OP65-07CUC	7V	8.5A	60.0W	82%		
OP65-09CUC	9V	6.5A	60.0W	85%		
OP65-12CUC	12V	5.4A	65.0W	85%		
OP65-15CUC	15V	4.3A	65.0W	85%		
OP65-24CUC	24V	2.7A	65.0W	88%		
OP65-28CUC	28V	2.3A	65.0W	88%		
OP65-36CUC	36V	1.8A	65.0W	88%		
OP65-48CUC	48V	1.3A	63.0W	88%		
OP65-75CUC	75V	0.8A	60.0W	88%		
OP65-150CUC	150V	0.4A	60.0W	88%		

Input Range: 90~264Vac		OP65-□□TU/TUC				
Model	V-out	I-out	P-out	Efficiency	Notes	
OP65-2R5TUC	2.5V	10.0A	25.0W	80%		
OP65-3R3TUC	3.3V	10.0A	33.0W	80%		
OP65-05TUC	5V	10.0A	50.0W	80%		
OP65-07TUC	7V	8.5A	60.0W	82%		
OP65-09TUC	9V	6.5A	60.0W	85%		
OP65-12TUC	12V	5.4A	65.0W	85%		
OP65-15TUC	15V	4.3A	65.0W	85%		
OP65-24TUC	24V	2.7A	65.0W	88%		
OP65-28TUC	28V	2.3A	65.0W	88%		
OP65-36TUC	36V	1.8A	65.0W	88%		
OP65-48TUC	48V	1.3A	63.0W	88%		
OP65-75TUC	75V	0.8A	60.0W	88%		
OP65-150TUC	150V	0.4A	60.0W	88%		



OP65-□□CUC
 (115x64x40mm)
 Connector & U-bracket & Cover



OP65-□□TUC
 (115x64x40mm)
 Terminal block & U-bracket & Cover

(CN1):AC Input connector: YW396-03AV, JST B3P-VH, equivalent

No	Assignment	Mating housing	Contact terminal	Vender
1	L	YH396-03 JST VHR3N	YT396(J) JST SVH-21T-P1.1	Yeon-Ho JST
2	No Pin			
3	N			

(CN1):AC input Terminal-Block:

Pin No	Assignment	Terminal Block	Vender
1	L	MB332-381A03HSZ, or equivalent	DECA
2			
3	N		

(CN2):DC Output connector: YW396-04V, JST B4P-VH, equivalent

No	Assignment	Mating housing	Contact terminal	Vender
1,2	+ Vout	YH396-04 JST VHR4N	YT396(J) JST SVH-21T-P1.1	Yeon-Ho JST
3,4	- Vout			

(CN2'):DC Output Terminal-Block:

Pin No	Assignment	Terminal Block	Vender
1,2	+ Vout	MB332-381A04HSZ, or equivalent	DECA
3,4	- Vout		

Environmental & Isolation Specifications

Parameter	Min	Typ	Max	Unit	Notes
Operating Temperature	-10	-	50	℃	Refer to output load derating curve.
Storage Temperature	-40	-	85	℃	
Operating Humidity(Non condensing)	10	-	95	%	
Isolation Resistance(Input : Output)	100	-	-	MΩ	At 500VDC
Isolation Voltage(Input : Output)	3,000			VAC	At 10mA
Isolation Voltage(Input : F.G)	1,500			VAC	At 10mA
Isolation Voltage(F.G : Output)	500			VAC	At 10mA

Specifications Input Characteristics

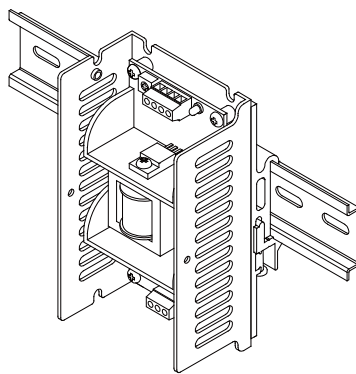
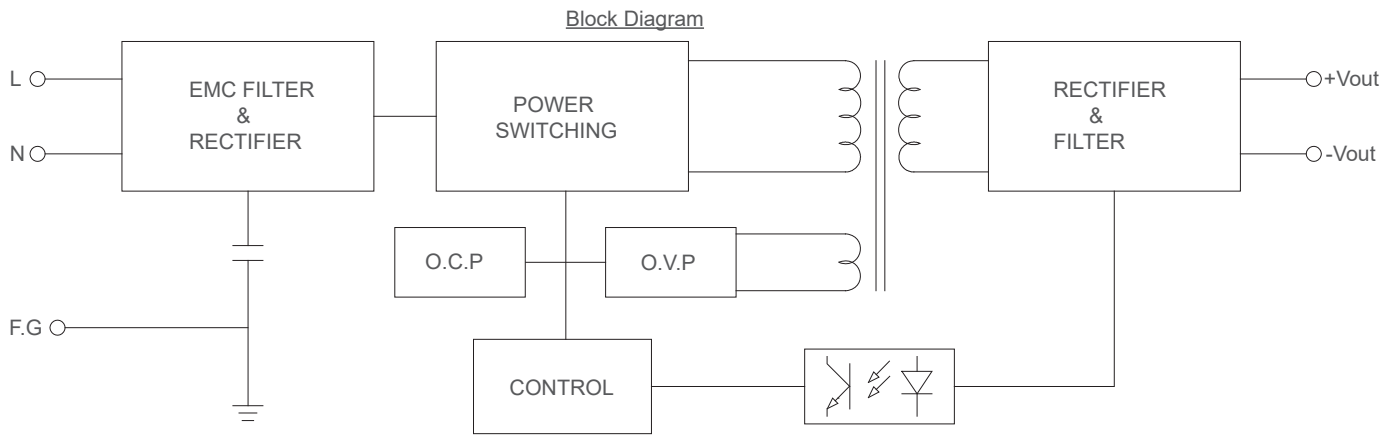
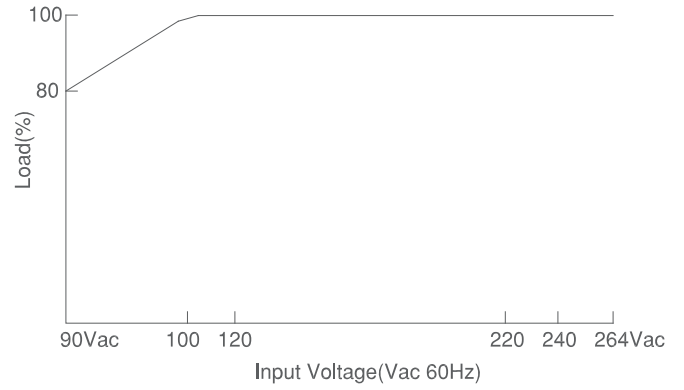
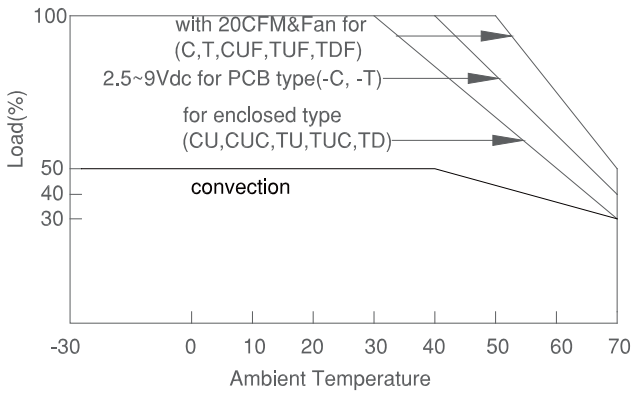
Parameter	Min	Typ	Max	Unit	Notes
Operating Input Voltage Range	90	220	264	VAC	
Frequency Range	47	50/60	63	Hz	
Input Current at 115VAC (OP65□□)	-	-	1.3	A	Max Load
Input Current at 115VAC (OP150□□)	-	-	2.0	A	Max Load
Input Current at 115VAC (OP300□□)	-	-	3.4	A	Max Load
Inrush Current (Cold start at 220VAC)			50	A	
Over Current Protection(Rated Pout)	110	-	-	%	Hiccup
Leakage Current(at 220VAC)				mA	

Specifications Output Characteristics

Parameter	Min	Typ	Max	Unit	Notes
Output Voltage Setting Tolerance	-	-	±2	%	
Line Regulation	-	-	±0.5	%	
Load Regulation	-	-	±1	%	
Output Power	-	-	65	W	
Output Ripple & Noise (220VAC max-load)	-	-	1% of Vo	mV	B/W 100Mhz, 1uF Cap
Dynamic Load Response	-	-	5% of Vo	mV	
Turn on Time at 220VAC	-	100	-	mS	
Hold-up Time at 220VAC	-	50	-	mS	

Dimensions & Weight

Model	Dimensions(mm)	Weight(g)	Model	Dimensions(mm)	Weight(g)	Model	Dimensions(mm)	Weight(g)
OP65C	102 X 51 X H32	136 typ	OP150C	102 X 51 X H32	198 typ	OP300C	127 X 76 X H38	340 typ
OP65T	102 X 51 X H32	139 typ	OP150T	102 X 51 X H32	200 typ	OP300T	127 X 76 X H38	356 typ
OP65CU	115 X 64 X H40	205 typ	OP150CU	115 X 64 X H40	265 typ	OP300CU	140 X 88 X H45	436 typ
OP65TU	115 X 64 X H40	207 typ	OP150TU	115 X 64 X H40	269 typ	OP300TU	140 X 88 X H45	451 typ
OP65CUC	115 X 64 X H40	221 typ	OP150CUC	115 X 64 X H40	281 typ	OP300CUC	140 X 88 X H45	464 typ
OP65TUC	115 X 64 X H40	223 typ	OP150TUC	115 X 64 X H40	285 typ	OP300TUC	140 X 88 X H45	478 typ
			OP150TUF	115 X 64 X H40+20(Fan)	316 typ	OP300TUF	140 X 88 X H45+20(Fan)	510 typ
OP65TD	140 X 69 X H40	364 typ	OP150TD	140 X 69 X H40	423 typ	OP300TD	167 X 92 X H45	627 typ
			OP150TDF	140 X 69 X H40+20(Fan)	453 typ	OP300TDF	167 X 92 X H45+20(Fan)	657 typ



파워캡 디레일 브라켓을 이용 디레일 장착



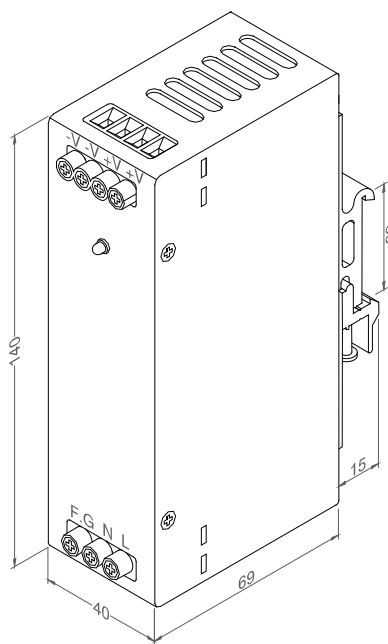
◆ Features

- Compact size 4"x2"(OP65C/T,OP150C/T), 5"x3"(OP300C/T).
- OP65CU/TU,OP150CU/TU(115x64x40mm).
- OP300CU/TU(140x88x45mm).
- OP65TD,OP150TD(140x84x40mm).
- OP300TD(167x107x45mm).
- Optional Input/Output: Connector or Terminal Block.
- Optional case: U-Bracket case or Din-Rail case.
- Universal AC Input 90~264Vac, free-voltage.
- Built-in active PFC function(OP150,OP300).
- Protections: Short circuit, Overload, Overvoltage.
- Over temperature protections(OP150,OP300).
- High efficiency up to 90%(OP150,OP300).
- OP65 free air convection, OP150/OP300 with in 20CFM forced air.
- OP150/OP300 Built-in 12V 0.3A auxiliary output(Fan Vcc).
- LED indicator for DC-OK.
- Adjustable output voltage.
- 3 years warranty. -RoHs directive.



디자인출원:30-2019-0046835

특허청



OP65-□□TD
Terminal block & Din-Rail
(140x84x40mm)

Input Range: 90~264Vac

OP65-□□TD

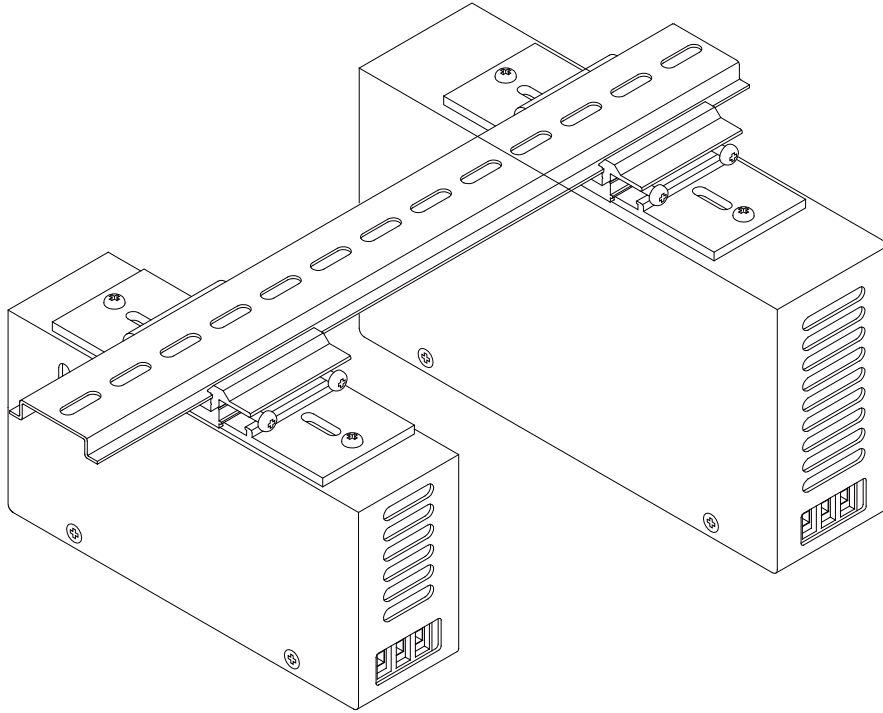
Model	V-out	I-out	P-out	Efficiency	Notes
OP65-2R5TD	2.5V	10.0A	25.0W	80%	
OP65-3R3TD	3.3V	10.0A	33.0W	80%	
OP65-05TD	5V	8.0A	40.0W	80%	
OP65-07TD	7V	5.7A	40.0W	82%	
OP65-09TD	9V	5.5A	50.0W	85%	
OP65-12TD	12V	4.2A	50.0W	85%	
OP65-15TD	15V	3.3A	50.0W	85%	
OP65-24TD	24V	2.1A	50.0W	88%	
OP65-28TD	28V	1.8A	50.0W	88%	
OP65-36TD	36V	1.4A	50.0W	88%	
OP65-48TD	48V	1.1A	50.0W	88%	
OP65-75TD	75V	0.6A	45.0W	88%	
OP65-150TD	150V	0.3A	45.0W	88%	

(CN1):AC input Terminal-Block:

Pin No	Assignment	Terminal Block	Vender
1	F.G	MB912-762M03, or equivalent	DECA
2	N		
3	L		

(CN2'):AC input Terminal-Block:

Pin No	Assignment	Terminal Block	Vender
1,2	+ Vout	MB912-635M04 or equivalent	DECA
3,4	- Vout		



Environmental & Isolation Specifications

Parameter	Min	Typ	Max	Unit	Notes
Operating Temperature	-10	-	50	°C	Refer to output load derating curve.
Storage Temperature	-40	-	85	°C	
Operating Humidity(Non condensing)	10	-	95	%	
Isolation Resistance(Input : Output)	100	-	-	MΩ	At 500VDC
Isolation Voltage(Input : Output)		3,000		VAC	At 10mA
Isolation Voltage(Input : F.G)		1,500		VAC	At 10mA
Isolation Voltage(F.G : Output)		500		VAC	At 10mA

Specifications Input Characteristics

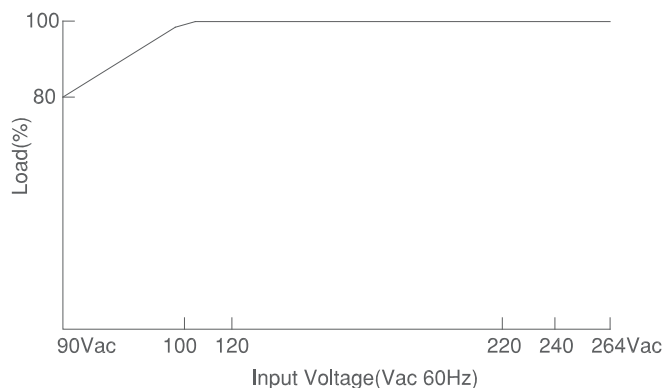
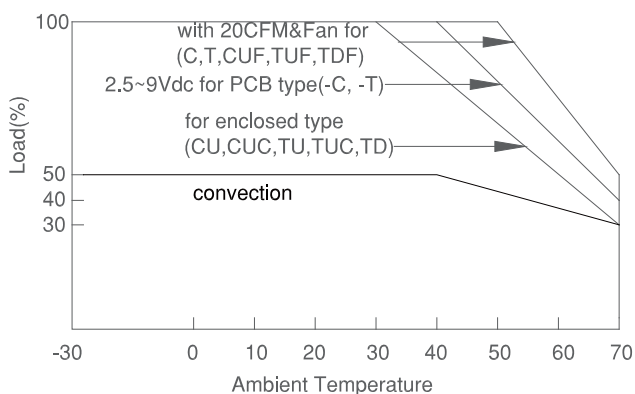
Parameter	Min	Typ	Max	Unit	Notes
Operating Input Voltage Range	90	220	264	VAC	
Frequency Range	47	50/60	63	Hz	
Input Current at 115VAC (OP65□□)	-	-	1.3	A	Max Load
Input Current at 115VAC (OP150□□)	-	-	2.0	A	Max Load
Input Current at 115VAC (OP300□□)	-	-	3.4	A	Max Load
Inrush Current (Cold start at 220VAC)			50	A	
Over Current Protection(Rated Pout)	110	-	-	%	Hiccup
Leakage Current(at 220VAC)				mA	

Specifications Output Characteristics

Parameter	Min	Typ	Max	Unit	Notes
Output Voltage Setting Tolerance	-	-	±2	%	
Line Regulation	-	-	±0.5	%	
Load Regulation	-	-	±1	%	
Output Power	-	-	65	W	
Output Ripple & Noise (220VAC max-load)	-	-	1% of Vo	mV	B/W 100Mhz, 1uF Cap
Dynamic Load Response	-	-	5% of Vo	mV	
Turn on Time at 220VAC	-	100	-	mS	
Hold-up Time at 220VAC	-	50	-	mS	

Dimensions & Weight

Model	Dimensions(mm)	Weight(g)	Model	Dimensions(mm)	Weight(g)	Model	Dimensions(mm)	Weight(g)
OP65C	102 X 51 X H32	136 typ	OP150C	102 X 51 X H32	198 typ	OP300C	127 X 76 X H38	340 typ
OP65T	102 X 51 X H32	139 typ	OP150T	102 X 51 X H32	200 typ	OP300T	127 X 76 X H38	356 typ
OP65CU	115 X 64 X H40	205 typ	OP150CU	115 X 64 X H40	265 typ	OP300CU	140 X 88 X H45	436 typ
OP65TU	115 X 64 X H40	207 typ	OP150TU	115 X 64 X H40	269 typ	OP300TU	140 X 88 X H45	451 typ
OP65CUC	115 X 64 X H40	221 typ	OP150CUC	115 X 64 X H40	281 typ	OP300CUC	140 X 88 X H45	464 typ
OP65TUC	115 X 64 X H40	223 typ	OP150TUC	115 X 64 X H40	285 typ	OP300TUC	140 X 88 X H45	478 typ
			OP150TUF	115 X 64 X H40+20(Fan)	316 typ	OP300TUF	140 X 88 X H45+20(Fan)	510 typ
OP65TD	140 X 69 X H40	364 typ	OP150TD	140 X 69 X H40	423 typ	OP300TD	167 X 92 X H45	627 typ
			OP150TDF	140 X 69 X H40+20(Fan)	453 typ	OP300TDF	167 X 92 X H45+20(Fan)	657 typ



Block Diagram

